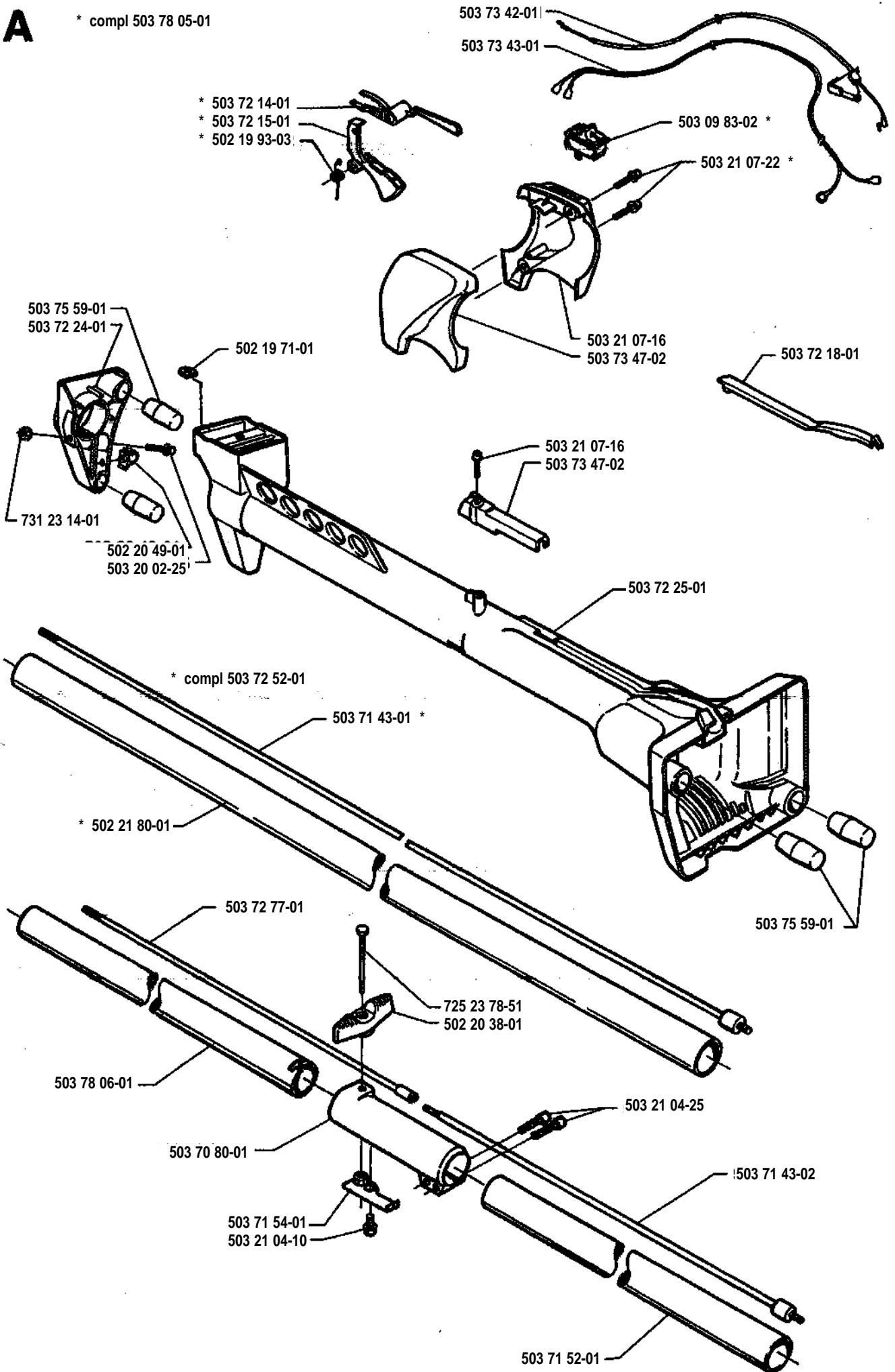


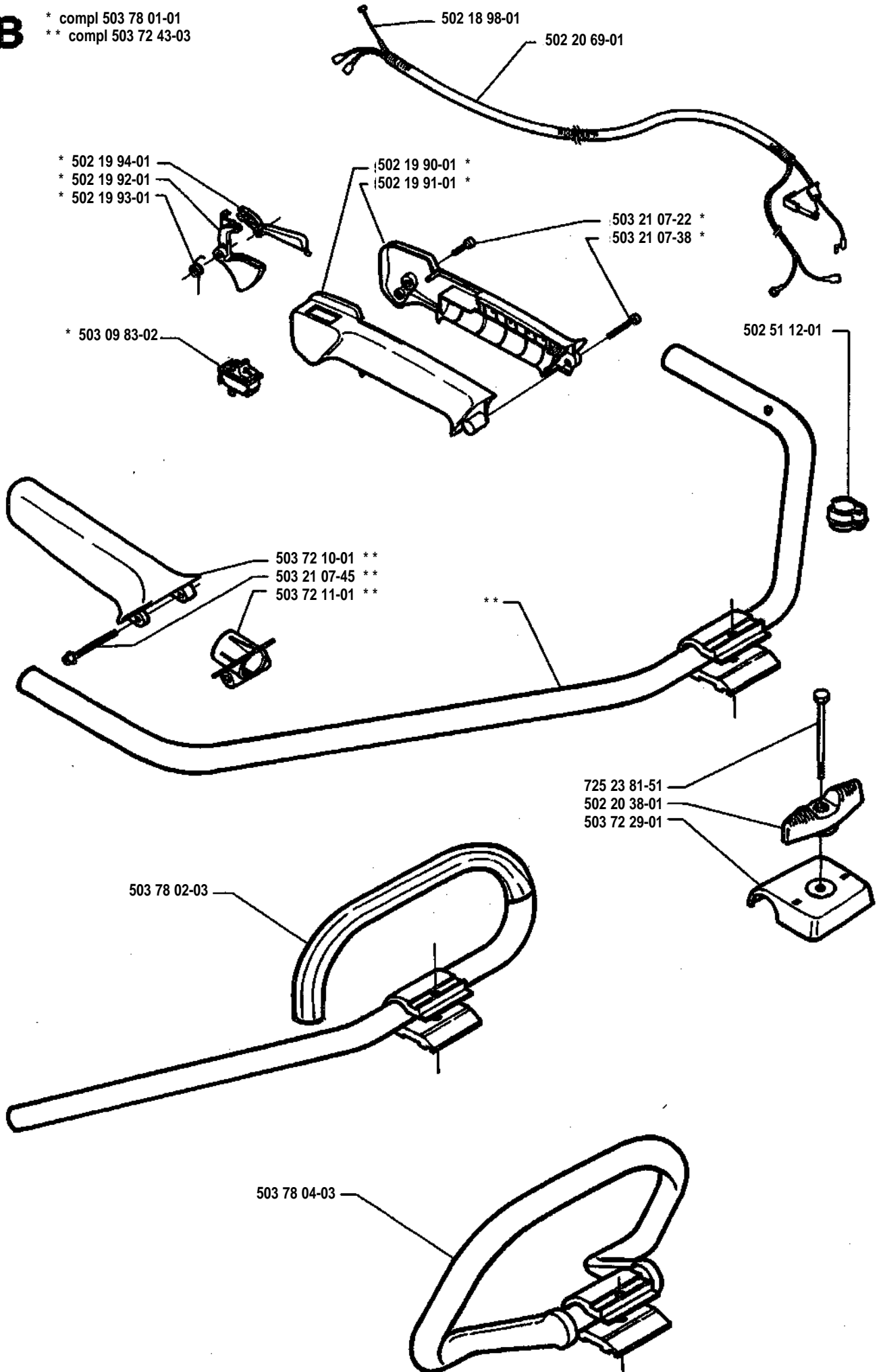
A

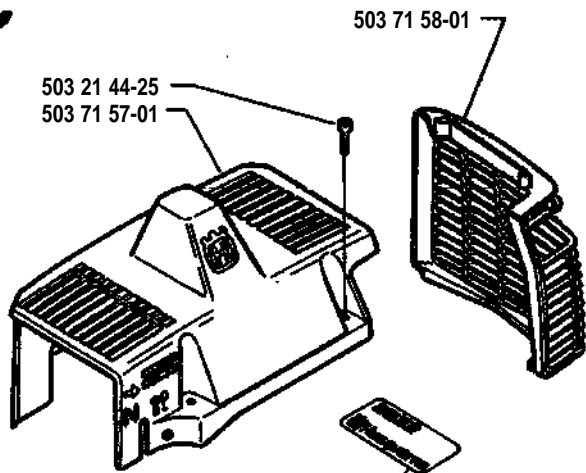
* compl 503 78 05-01



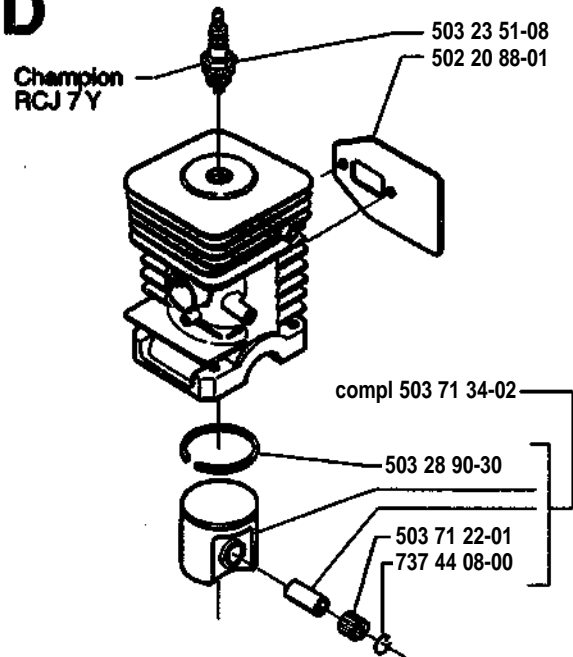
B

* compl 503 78 01-01
** compl 503 72 43-03

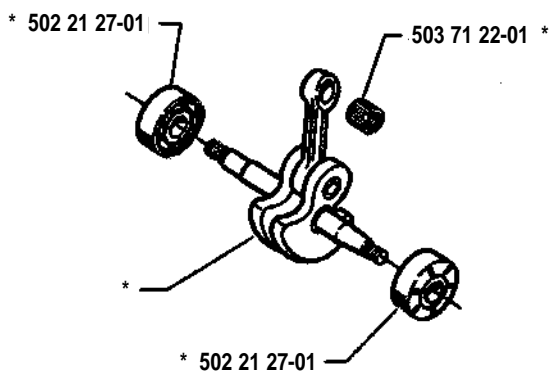
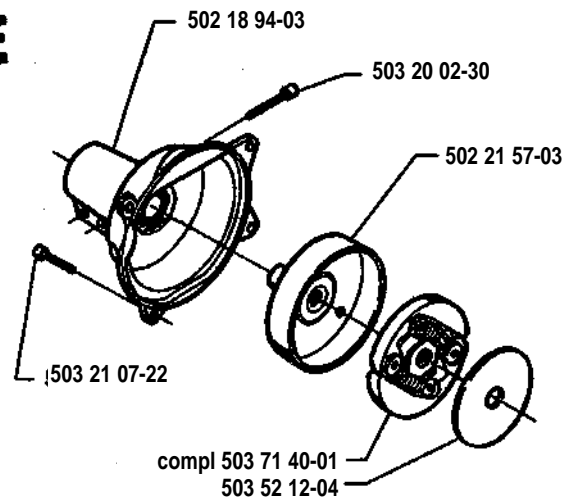


C

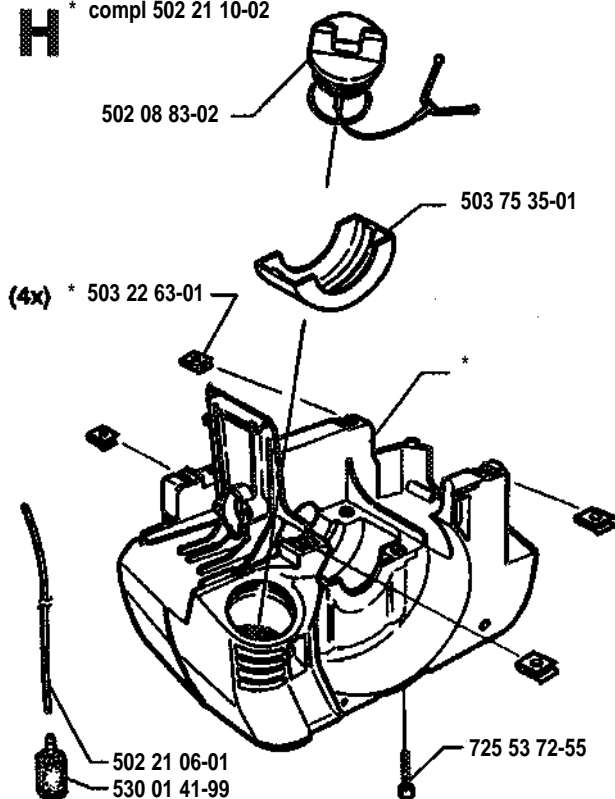
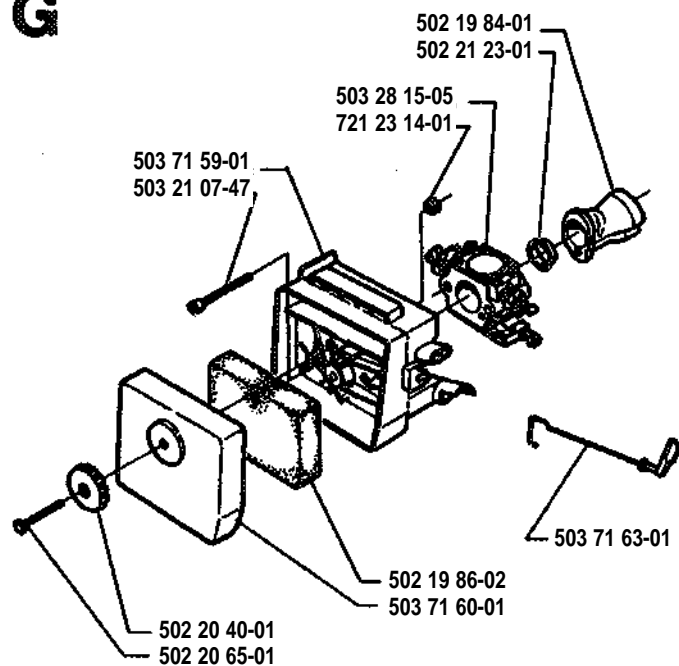
- | |
|--------------|
| 502 21 26-06 |
| 502 21 26-07 |
| 502 21 26-08 |
| 502 21 26-09 |
| 502 21 26-10 |

D compl 503 72 45-01**F**

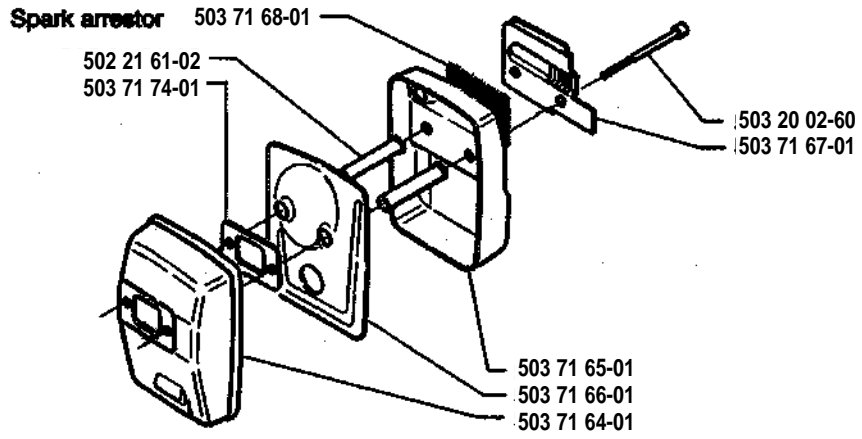
* compl 503 77 44-01

**E****H**

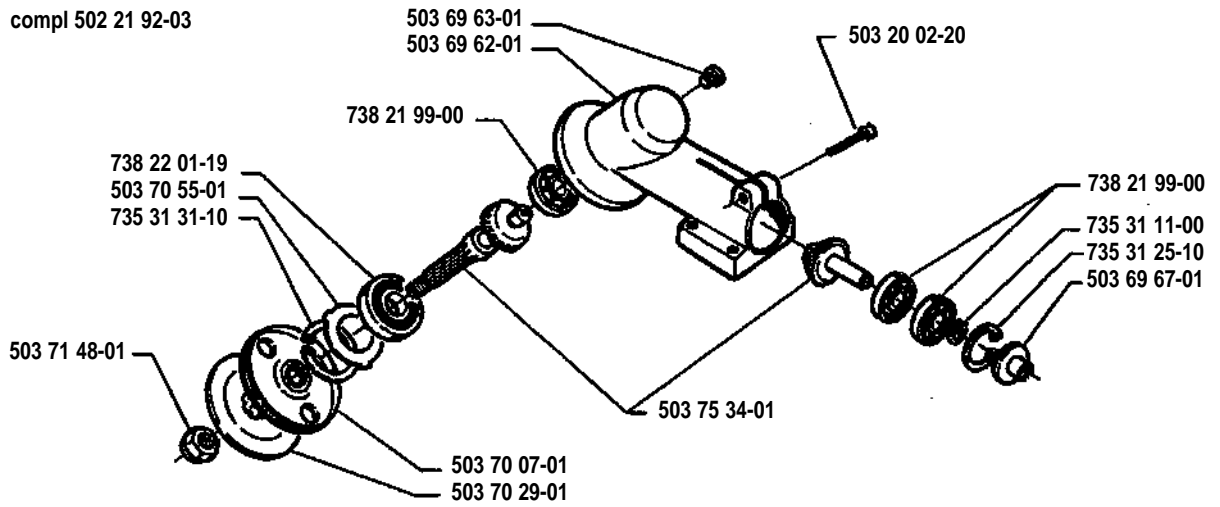
* compl 502 21 10-02

**G**

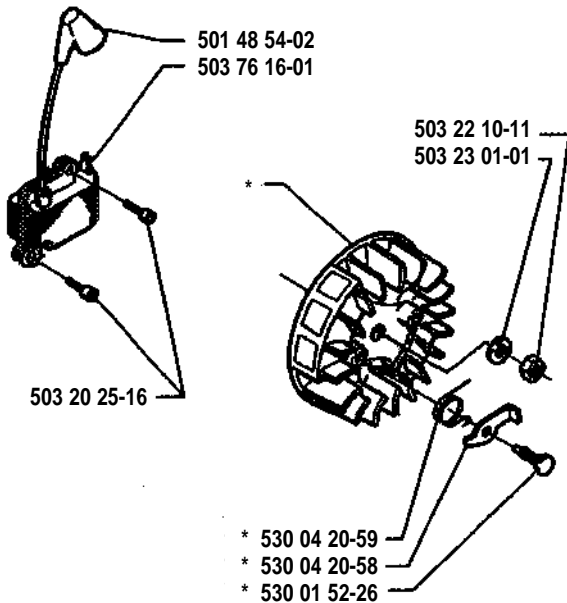
J compl 503 78 03-01



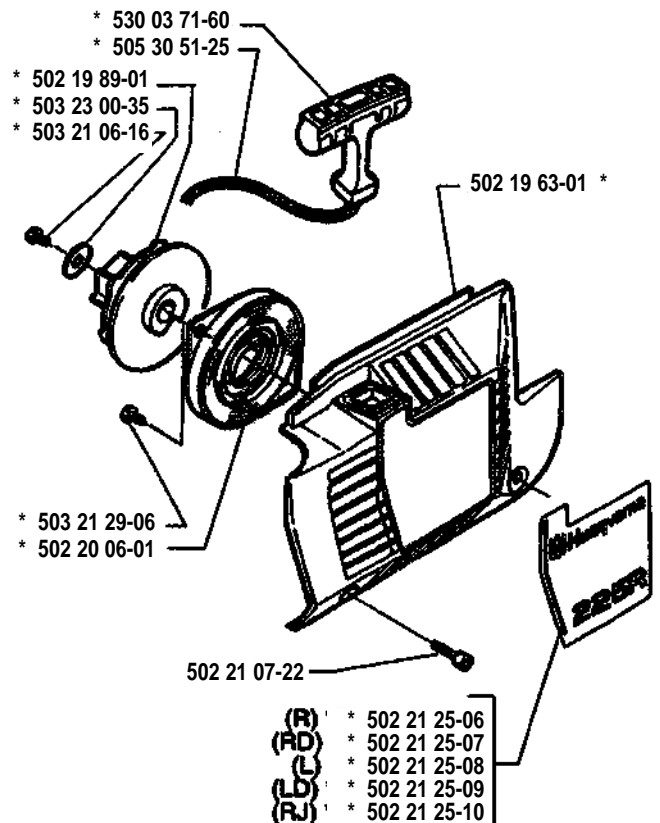
K compl 502 21 92-03



L * compl 502 19 59-01

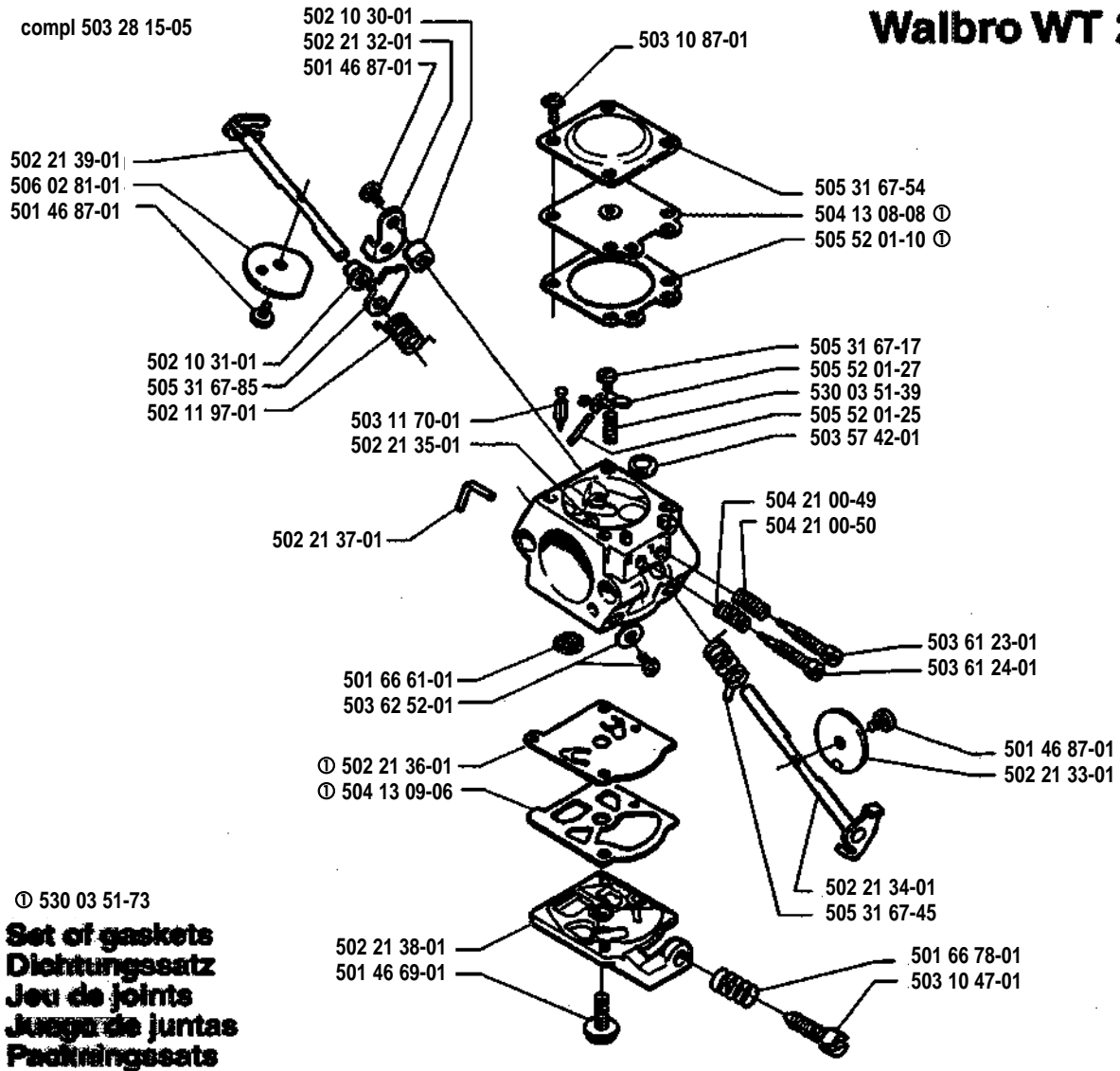


M * compl 502 18 95-01



N

compl 503 28 15-05

Walbro WT 235**P**
Accessories
Zubehöre
Accessoires
Accesorios
Tillbehör

 compl 503 73 63-03
 compl 503 73 63-04 (USA)
